

Spare Parts List

Model Ref.:- VT12

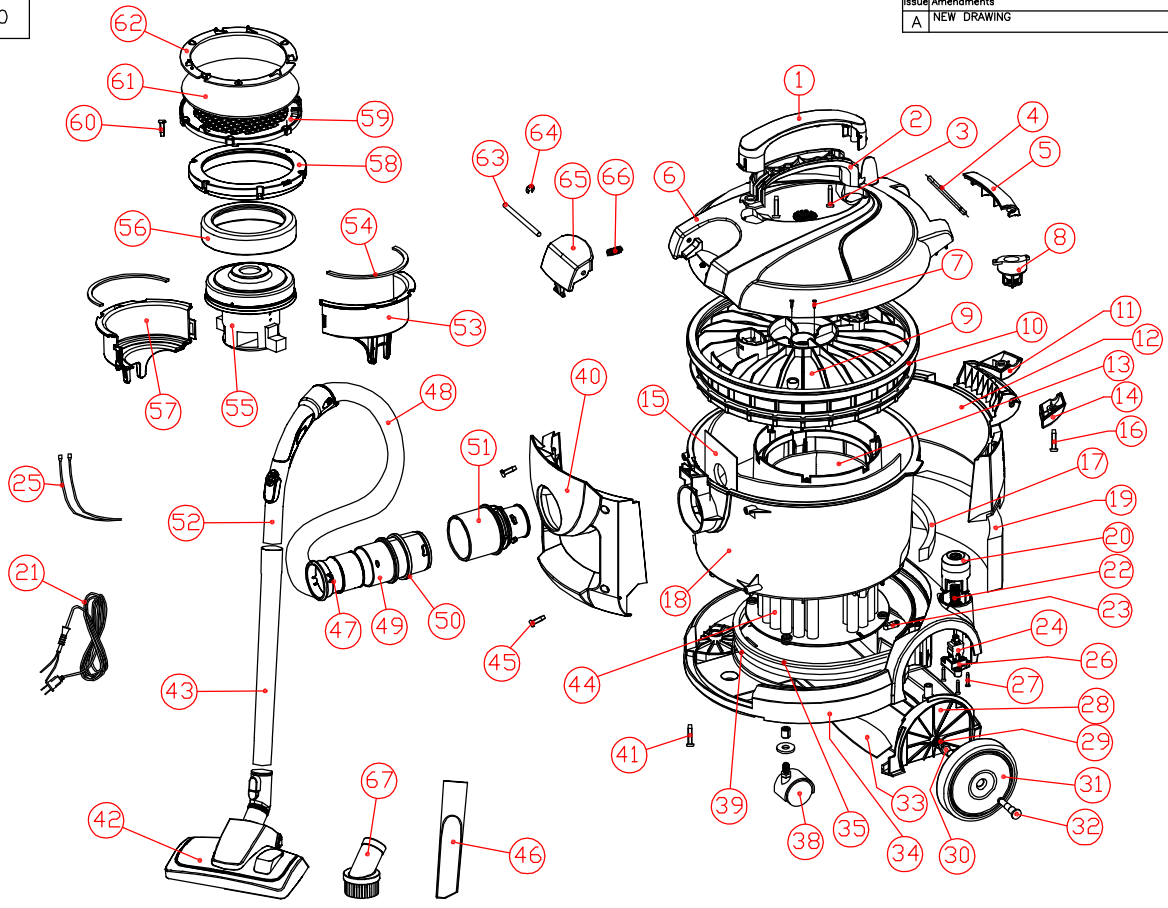
SERIES B (Serial Numbers 01000 Onwards)

Spare Parts List Issue 2 Dated 22 October 2013

Ref. Drawing 09-1117-0000 Dated 18th November 2009

Drawing Ref.	Part Number	DESCRIPTION	Qty Per
1	Q299654AH01	Handle	1
2	Q299647AH01	Handle Cover	1
3		Screw M4*16	2
4			
5	B299081R001R	Lid Cover Assembly	1
6			
7		Screw M3*6	2
8			
9	B299126R002R	Lid Frame and Safety Valve Assembly	1
10			
11	B299237R001R	Lid Hinge Cover Assembly	1
14			
12	Q299130PH02	Air Outlet Cover	1
13	G2990330001	Motor Noise Muffler	1
15	G2990100003	Re-usable Dust Bag	1
15	B299003R001R	Dust Bag (Pack of 10)	1
16		Screw M4*25	2
17	G2990020001	Body Noise Muffler	1
18	Q2996851H94R	Tank Body	1
19	G2990190002	Air Outlet Filter	1
20			
22	B299083R001R	Switch Button Including Spring	1
21	D1A75839002R	Power Cord UK Plug	1
21a	04-3953-0000	Power Cord EURO Plug	1
23			
28			
33			
34	B299084R002R	Base Cover Assembly	1
35			
39			
24	D3024000005R	On/Off Switch	1
25	A2990990006R	Internal Wires	1
26	Q2995240B55R	Switch Plate	1
27		Screw M4*10	3
29			
30	B299009R002R	Large Wheel Assembly	1
31			
32			
38	A2990950005R	Castor	2
40	Q299715PH02	Suction Plate	1
41		Screw M5*37	5
42	F111B900003R	Floor Tool	1

Drawing Ref.	Part Number	DESCRIPTION	Qty Per
43	F0444100101R	Telescopic Tube	1
44	Q299F09PH02	Muffler	1
45		Screw M5*15	9
46	S8910250H02	Crevice Tool	1
47			
48			
49	A0002020980R	Hose Assembly	1
50			
52			
51	Q299730AH01	Suction Body	1
53	Q299A040H67R	Left Motor Housing	1
54	X2990290001R	Motor Pad	2
55	2A130231R	Motor	1
56	X2990340004R	Motor Sealing	1
57	Q299A041H67R	Right Motor Housing	1
58	Q299L530H16R	Motor House Seal	1
59	Q2994861H33R	Air Inlet Grill	1
60		Screw M4*15 Black	6
61	B299008R001R	Air Inlet Filter (Pack of 5)	1
62	Q2995110H33R	Grill Clip	1
65			
66			
63	B299125R002R	Lid Latch Assembly	1
64			
67	F0871300001	Dusting Brush	1



	<p>3RD ANGLE PROJECTION DIMENSIONS IN MILLIMETRES DO NOT SCALE DRAWING © COPYRIGHT</p>	Material	-----	General Tolerance	N/A	TRUVOX™ INTERNATIONAL LIMITED	
		Finish	-----	Scale	N.T.S.		
Drawn	M.D.C.	Checked	M.D.C.	Date	18.11.09	Title	VT12 EXPLODED PARTS DRAWING
						Drawing/Part Number	09-1117-0000
							<div style="border: 1px solid black; padding: 2px; width: fit-content; margin: 0 auto;"> RED ON MASTER </div>